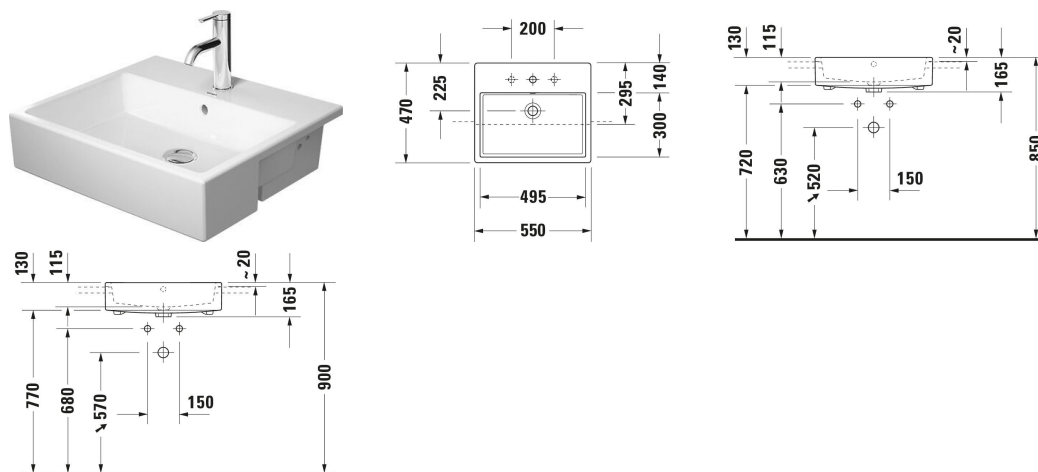


**Vero Air Semi-recessed washbasin # 0382550000**

| &lt; 550 mm &gt; |



Semi-recessed washbasin	Dimension	Weight	Order number
Washbasin version: Installation, 550x470 mm, Internal dimensions: 495x300 mm, Tap hole platform: Yes, Overflow: Yes, Type of mounting: counter top, Incl. fixings for installation in wooden consoles, Underside glazed			
<b>Colors</b>			
00 White Alpin			
<b>Variant</b>			
● Washbasin version: counter top, White High Gloss, Number of faucet holes per wash area: 1	550x470 mm	16.200 kg	0382550000
<b>Accessory</b>			
Push-open waste Suitable for washbasin with overflow, Ø 63,5 mm	Ø 63.5 mm	0.34 kg	005052
<b>Recommended faucets</b>			
Single lever basin mixer S Ceramic cartridge, Height: 155 mm, Projection: 91 mm, Spray mode: Normal spray, Aerator adjustable, recommended operating pressure: 1 - 5 bar, Noise class: I, Handle version: lever handle, 121 x 41 mm	121 x 41 mm		C11010001
Single lever basin mixer M Ceramic cartridge, Height: 175 mm, Projection: 113 mm, Spray mode: Normal spray, Aerator adjustable, recommended operating pressure: 1 - 5 bar, Noise class: I, Handle version: lever handle, 143 x 46 mm	143 x 46 mm		C11020001
Single lever basin mixer M Chrome, Ceramic cartridge, Height: 170 mm, Projection: 139 mm, Spray mode: Normal spray, Aerator adjustable, Temperature limit adjustable, recommended operating pressure: 1 - 5 bar, Noise class: I, Handle version: lever handle, 175 x 41 mm	175 x 41 mm		B11020001

**Vero Air Semi-recessed washbasin # 0382550000**

|&lt; 550 mm &gt;|

Single lever basin mixer M Chrome, Ceramic cartridge, Height: 165 mm, Projection: 138,5 mm, Spray mode: Normal spray, Aerator adjustable, Temperature limit adjustable, recommended operating pressure: 1 - 5 bar, Noise class: I, Handle version: lever handle, 175 x 41 mm	175 x 41 mm	B21020001
Single lever basin mixer L Ceramic cartridge, Height: 262 mm, Projection: 136 mm, Spray mode: Normal spray, Aerator adjustable, recommended operating pressure: 1 - 5 bar, Noise class: I, Handle version: lever handle, 165 x 41 mm	165 x 41 mm	C11030001
Single lever basin mixer XL Ceramic cartridge, Height: 322 mm, Projection: 166 mm, Spray mode: Normal spray, Aerator adjustable, recommended operating pressure: 1 - 5 bar, Noise class: I, Handle version: lever handle, 197 x 41 mm	197 x 41 mm	C11040001
Single lever basin mixer M Chrome, Ceramic cartridge, Height: 165 mm, Projection: 138,5 mm, Water connection: Flexible connecting hoses, 3/8", Spray mode: Normal spray, Aerator adjustable, Temperature limit adjustable, recommended operating pressure: 1 - 5 bar, Noise class: I, Handle version: lever handle, 175 x 42 mm	175 x 42 mm	B21020002

*All drawings contain the necessary measurements which are subject to standard tolerances. They are stated in mm and are non-binding. Exact measurements, in particular for customised installation scenarios, can only be taken from the finished piece.*