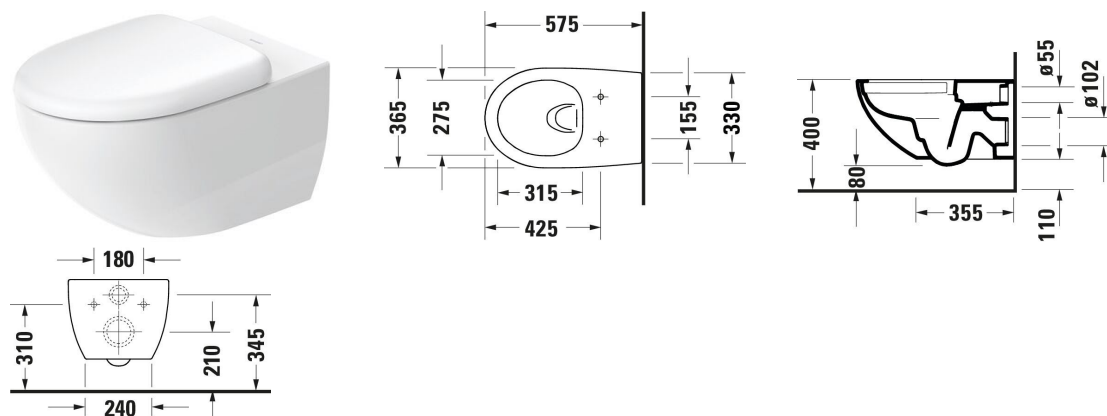


Architec Wall-mounted toilet # 257209..00 / 257209..00 /  
257209..00 / 257209..00

|< 365 mm >|



Wall-mounted toilet	Dimension	Weight	Order number
Washdown model, Rimless, Flush principle: washdown model, Outlet drain horizontal, Fixing included: Durafix, Unified Water Label (UWL) Class: 1			
<b>Colors</b>			
00 White Alpin 20 HygieneGlaze (an antibacterial ceramic glaze that provides almost indefinite effectiveness) 26 White/White Satin Matt 89 Anthracite/Anthracite Matt			
<b>Variant</b>			
♣ White High Gloss, Flush water quantity: 4,5/3 l	365x575 mm	24.100 kg	257209..00
♣ White High Gloss, HygieneGlaze, Flush water quantity: 4,5 l	365x575 mm	24.100 kg	257209..00
♣ Interior colour White High Gloss, Exterior colour White Satin Matt, Flush water quantity: 4,5/3 l	365x575 mm	24.100 kg	257209..00
♣ Interior colour Anthracite High Gloss, Exterior colour Anthracite Matt, Flush water quantity: 4,5/3 l	365x575 mm	24.100 kg	257209..00
<b>Accessory for ceramics</b>			
Fixation Suitable for Wall-mounted bidet, Wall-mounted toilet	180 x 42 mm	0.69 kg	006500
<b>Accessory</b>			
Noise reduction set	420 x 390 mm	0.2 kg	005090
<b>Suitable products</b>			
Toilet seat Soft-closing: Yes, Removable Seat, Hinge material: Stainless steel, Wrap over, 373 x 445 mm	373 x 445 mm		006969
Toilet seat Soft-closing: No, Removable Seat, Hinge material: Stainless steel, Wrap over, 373 x 445 mm	373 x 445 mm		006961

**Architec Wall-mounted toilet # 257209..00 / 257209..00 / 257209..00 / 257209..00**

| < 365 mm > |

<p>Installation element dry installation for toilet Standard Installation element dry installation for WC, 6 l, Powder-coated, Type of installation: In standard lightweight construction, In front of solid wall, Type of mounting: Drywall, Max. projection toilet: 625 mm, Height adjustable: 240 mm, Flush operation: Mechanical, Flush operation position: Front, Adjustable flush volumes, Flush type: Dual Flush, insulated against condensation, Throttle for regulating the flush flow, Self-supporting, Suitable for panelling with plasterboards, Small flushing volume: 3 l, Large flushing volume: 6 l, 500 x 155 mm</p>	500 x 155 mm	WD1011
<p>Installation element dry installation for toilet Installation element dry installation for WC, Hygienic flush, 6 l, Powder-coated, Type of installation: In standard lightweight construction, In front of solid wall, Type of mounting: Drywall, Max. projection toilet: 625 mm, Height adjustable: 240 mm, Flush operation: Electronic, Flush operation position: Front, Adjustable flush volumes, Flush type: Dual Flush, insulated against condensation, Throttle for regulating the flush flow, Self-supporting, Suitable for panelling with plasterboards, Small flushing volume: 3 l, Large flushing volume: 6 l, 500 x 155 mm</p>	500 x 155 mm	WD1013
<p>Installation element dry installation for toilet Installation element dry installation for WC, Odour extraction, Fan activation: Automatic, Manual, At the touch of a button, Touchless, Hygienic flush, 6 l, Powder-coated, Type of installation: In standard lightweight construction, In front of solid wall, Type of mounting: Drywall, Max. projection toilet: 625 mm, Height adjustable: 240 mm, Flush operation: Electronic, Flush operation position: Front, Adjustable flush volumes, Flush type: Dual Flush, insulated against condensation, Throttle for regulating the flush flow, Self-supporting, Suitable for panelling with plasterboards, Small flushing volume: 3 l, Large flushing volume: 6 l, 500 x 155 mm</p>	500 x 155 mm	WD1014
<p>Installation element wet installation for toilet Installation element wet installation for WC, Type of installation: For walling in and out, Type of mounting: Wet installation, Max. projection toilet: 700 mm, Flush operation: Mechanical, Flush operation position: Front, Adjustable flush volumes, Flush type: Dual Flush, insulated against condensation, Throttle for regulating the flush flow, 445 x 153 mm</p>	445 x 153 mm	WD1015
<p>Installation element dry installation for toilet Standard Installation element dry installation for WC, 6 l, Powder-coated, Type of installation: In standard lightweight construction, In front of solid wall, Type of mounting: Drywall, Max. projection toilet: 625 mm, Height adjustable: 240 mm, Flush operation: Mechanical, Flush operation position: FrontTop, Adjustable flush volumes, Flush type: Dual Flush, insulated against condensation, Throttle for regulating the flush flow, Self-supporting, Suitable for panelling with plasterboards, Small flushing volume: 3 l, Large flushing volume: 6 l, 500 x 155 mm</p>	500 x 155 mm	WD1016
<p>Installation element dry installation for toilet Basic Installation element dry installation for WC, 6 l, Powder-coated, Type of installation: In standard lightweight construction, In front of solid wall, Type of mounting: Drywall, Max. projection toilet: 625 mm, Height adjustable: 240 mm, Flush operation: Mechanical, Flush operation position: FrontTop, Adjustable flush volumes, Flush type: Dual Flush, insulated against condensation, Throttle for regulating the flush flow, Self-supporting, Suitable for panelling with plasterboards, Small flushing volume: 3 l, Large flushing volume: 6 l, 500 x 155 mm</p>	500 x 155 mm	WD1017

**Architec Wall-mounted toilet # 257209..00 / 257209..00 / 257209..00 / 257209..00**

| < 365 mm > |

<p>Installation element dry installation for toilet Standard Installation element dry installation for WC, 6 l, Powder-coated, Type of installation: In standard lightweight construction, In front of solid wall, Type of mounting: Drywall, Max. projection toilet: 625 mm, Height adjustable: 240 mm, Flush operation: Mechanical, Flush operation position: FrontTop, Adjustable flush volumes, Flush type: Dual Flush, insulated against condensation, Throttle for regulating the flush flow, Self-supporting, Suitable for panelling with plasterboards, Small flushing volume: 3 l, Large flushing volume: 6 l, 500 x 155 mm</p>	500 x 155 mm	WD1018
<p>Installation element dry installation for toilet Basic Installation element dry installation for WC, 6 l, Powder-coated, Type of installation: In standard lightweight construction, In front of solid wall, Type of mounting: Drywall, Max. projection toilet: 625 mm, Height adjustable: 240 mm, Flush operation: Mechanical, Flush operation position: FrontTop, Adjustable flush volumes, Flush type: Dual Flush, insulated against condensation, Throttle for regulating the flush flow, Self-supporting, Suitable for panelling with plasterboards, Small flushing volume: 3 l, Large flushing volume: 6 l, 500 x 155 mm</p>	500 x 155 mm	WD1019
<p>Installation element dry installation for toilet Basic Installation element dry installation for WC, 6 l, Powder-coated, Type of installation: In standard lightweight construction, In front of solid wall, Type of mounting: Drywall, Max. projection toilet: 625 mm, Height adjustable: 240 mm, Flush operation: Mechanical, Flush operation position: Front, Adjustable flush volumes, Flush type: Dual Flush, insulated against condensation, Throttle for regulating the flush flow, Self-supporting, Suitable for panelling with plasterboards, Small flushing volume: 3 l, Large flushing volume: 6 l, 500 x 155 mm</p>	500 x 155 mm	WD1020
<p>Installation element dry installation for toilet Installation element dry installation for WC, Hygienic flush, 6 l, Powder-coated, Type of installation: In front of solid wall, Type of mounting: Drywall, Max. projection toilet: 625 mm, Height adjustable: 240 mm, Flush operation: Electronic, Flush operation position: Front, Adjustable flush volumes, Flush type: Dual Flush, insulated against condensation, Self-supporting, Suitable for panelling with plasterboards, Small flushing volume: 3 l, Large flushing volume: 6 l, 590 x 90 mm</p>	590 x 90 mm	WD1023

*All drawings contain the necessary measurements which are subject to standard tolerances. They are stated in mm and are non-binding. Exact measurements, in particular for customised installation scenarios, can only be taken from the finished piece.*