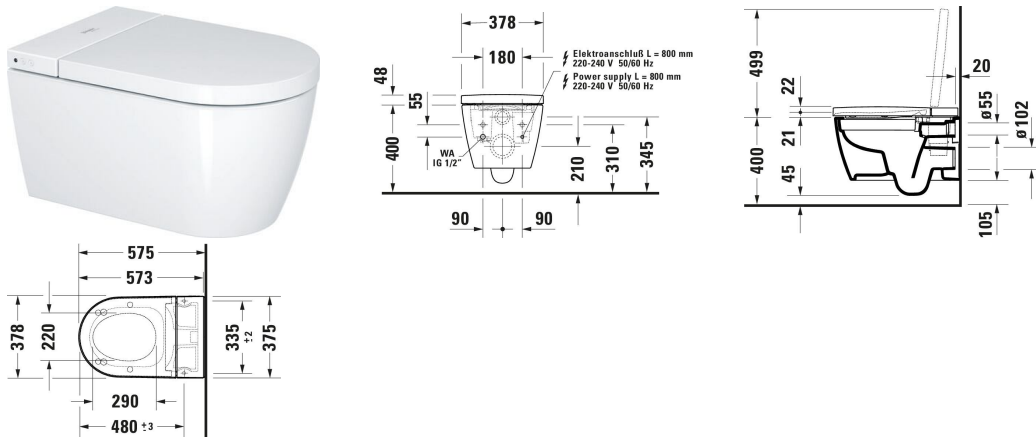


SensoWash® Starck f Compact shower toilet Plus # 650000012004320

| < 378 mm > |



Compact shower toilet Plus	Dimension	Weight	Order number
HygieneGlaze, Wall-mounted, Flush water quantity: 4,5/3 l, Flush construction: Washdown model, Flushing rim: without flush rim, White, Seat material type: Thermoplastic, Lid material type: Thermoplastic, Lid actuation: Automatic, At the touch of a button, Touchless, Rearwash, Ladywash, Pulsing shower spray: Oscillating, Warm air dryer, Seat heater, Operation type: Remote control, App, Number of programmable user profiles: 2, Adjustable shower jet position level: 5 Steps, Controllable warm air dryer steps: 4 Steps, Seat temperature level: 4 Steps, Controllable spray jet temperature steps: 4 Steps, Flow rate dryer: 12 m3/h, Adjustable blower levels: 1 Step, Operation type: Remote control, App, Number of programmable user profiles: 2, Self-cleaning shower nozzle/shower head, Entkalkungsfunktion, Energy saving mode: Adjustable, Holiday mode, Rated voltage: 220 - 240 V, Min. Frequenz: 50 Hz, Night light, Unified Water Label (UWL) Class: 1, Protection type: IPX4			
Colors			
00 White Alpin			
Variant			
	378x575 mm	37.800 kg	650000012004320

All drawings contain the necessary measurements which are subject to standard tolerances. They are stated in mm and are non-binding. Exact measurements, in particular for customised installation scenarios, can only be taken from the finished piece.